

Programmes After Market Services NPW-3 Series Transceivers

2. General Information

Contents

	Page No
Product Selection	5
Handportables	5
Charging Options	6
Modules and Accessories	8
Modules	8
Interconnection Diagram	8
Accessories	9
Mobile Accessories	9
Technical Specifications	10

Product Selection

Handportables

The Nokia NPW-3 is a dual band/dual mode radio transceiver unit for the US TDMA 800/1900MHz networks. The transceiver is fully based on 3V technology.

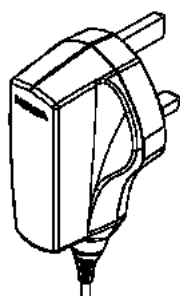
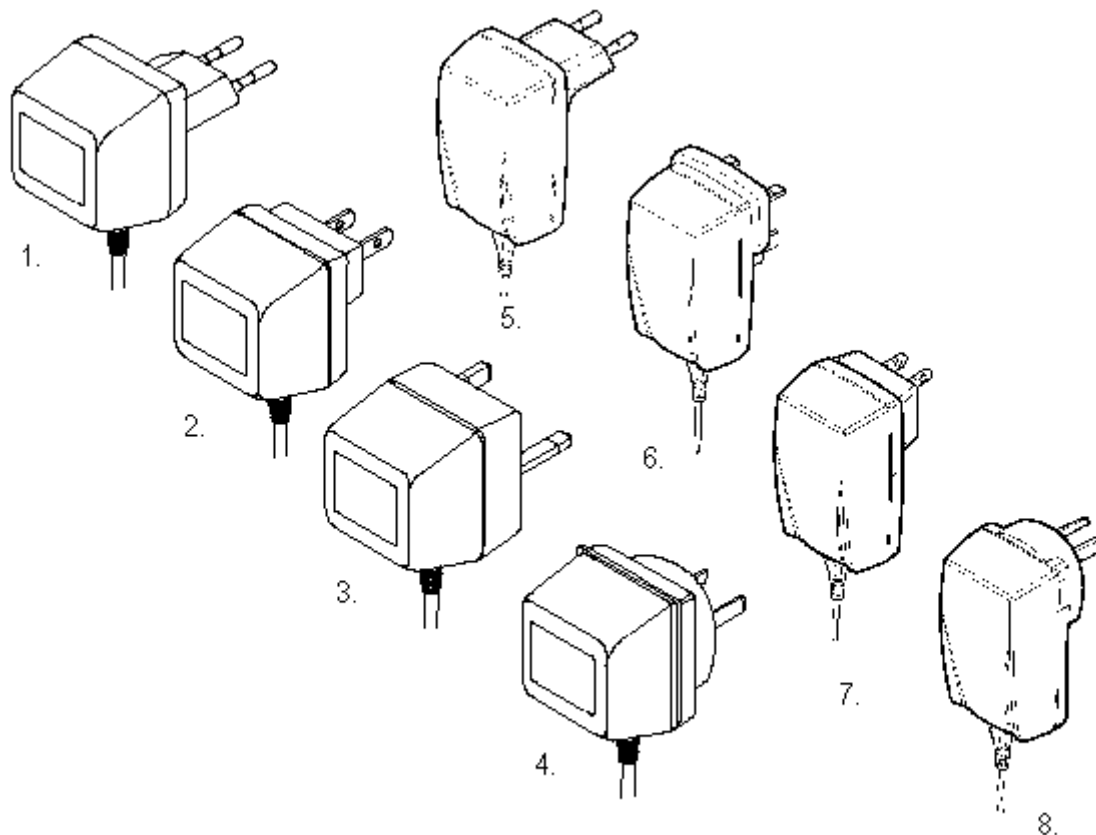
The transceiver consists of System/RF module, keypad module, LCD module, and assembly parts. The User Interface consists of normal number, talk, soft, and power keys in the keymat. The NPW-3 has an internal antenna and the antenna connection is provided by springs from the antenna to the PWB.



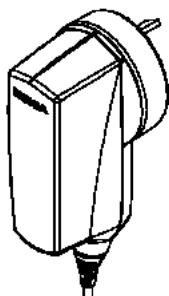
Item name	Type code	Material code
NPW-3 transceiver	See Product Variants	
Standard battery (Li-Ion 1000 mAh)	BLB-3	0670331
AC Performance travel charger	ACP-8U	0675196
Remote headset	HDE-2	0694075

Charging Options

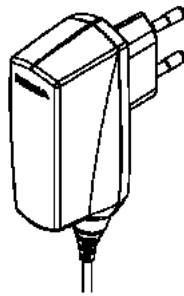
Chargers allow the user to charge the handportable and spare battery from an electrical outlet.



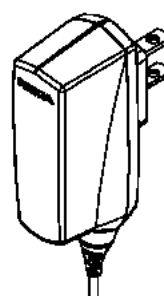
ACP-12X



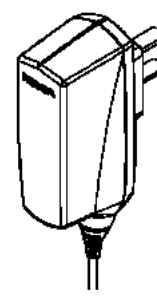
ACP-12A
ACP-12AR



ACP-12E



ACP-12U
ACP-12UB



ACP-12C

Item	Name	Type code	Material code
1	AC travel charger (Euro plug) 207-253 Vac	ACP-7E	0675144
2	AC travel charger (US plug) 108-132 Vac AC travel charger (US plug) 207-253 Vac AC travel charger (US plug) 198-242 Vac	ACP-7U ACP-7P ACP-7C	0675143 0675147 0675158

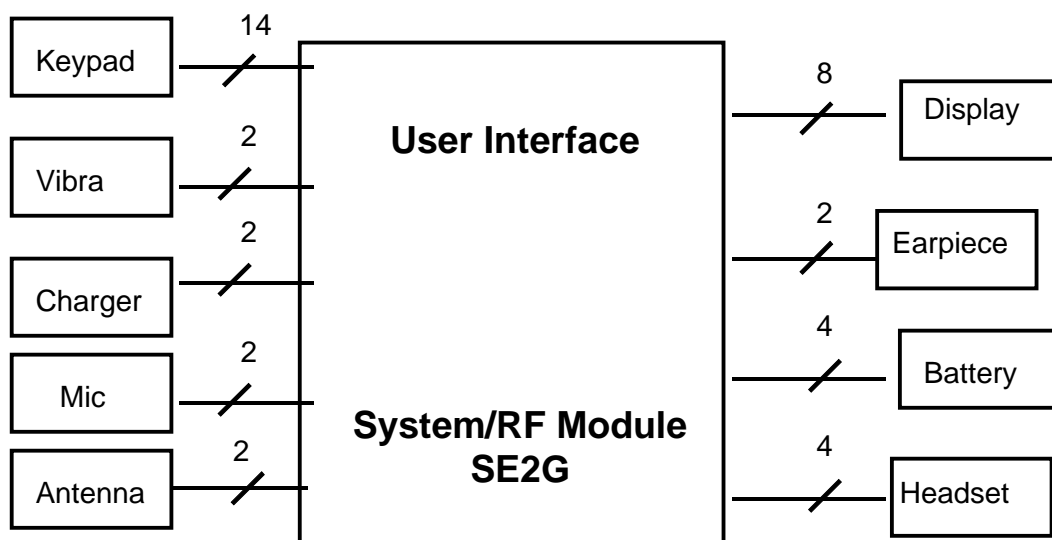
Item	Name	Type code	Material code
3	AC travel charger (UK plug) 207-253 Vac AC travel charger (UK plug) 180-220 Vac	ACP-7X ACP-7H	0675145 0675146
4	AC travel charger (Australia) 216-264 Vac	ACP-7A	0675148
5	Performance travel charger (Euro plug) 90-264 Vac Performance travel charger (Korea plug) 90-264 Vac	ACP-8E ACP-8K	0675195 0675199
6	Performance travel charger (UK plug) 90-264 Vac	ACP-8X	0675197
7	Performance travel charger (US plug) 90-264 Vac Performance travel charger (China plug) 90-264 Vac	ACP-8U ACP-8C	0675196 0675211
8	Performance travel charger (Australia plug) 90-264 Vac	ACP-8A	0675214
	Travel charger (U.K.) Travel charger (Australia) Travel charger (Argentina) Travel charger (Europe) Travel charger (U.S.) Travel charger (Brazil/Portugal) Travel charger (China)	ACP-12X ACP-12A ACP-12AR ACP-12E ACP-12U ACP-12UB ACP-12C	0675296 0675300 0675298 0675294 0675303 0675293 0675298

Modules and Accessories

Modules

Name of module	Type des	Material code
Basic transceiver, blue	NPW-3	0507027
System/RF module (Brazil factory) (Mexico factory)	SE2G	0201831 0201795
SW NPW-3 basic flash module	SW	0245055
Mechanics assembly parts	NMPW3	0262726

Interconnection Diagram



Accessories

Unit/type	Product code
Standard battery BLB-3 1000 mAh Li-Ion	0670331
AC travel charger ACP-7A (AUS) 216-264 Vac	0675148
AC travel charger ACP-7C (US) 198-242 Vac	0675158
AC travel charger ACP-7E (EUR) 207-253 Vac	0675144
AC travel charger ACP-7H (UK) 180-220 Vac	0675146
AC travel charger ACP-7U (US) 108-132 Vac	0675143
AC travel charger ACP-7X (UK) 207-253 Vac	0675145
AC travel charger ACP-7P (US) 207-253 Vac	0675147
Performance travel charger ACP-8A (AUS) 90-264 Vac	0675214
Performance travel charger ACP-8C (US) 90-264 Vac	0675211
Performance travel charger ACP-8E (EUR) 90-264 Vac	0675195
Performance travel charger ACP-8K (KOR) 90-264 Vac	0675199
Performance travel charger ACP-8U (US) 90-264 Vac	0675196
Performance travel charger ACP-8X (UK) 90-264 Vac	0675197
Travel charger ACP-12X (UK)	0675296
Travel charger ACP-12A (Australia)	0675300
Travel charger ACP-12AR (Argentina)	0675298
Travel charger ACP-12E (Europe)	0675294
Travel charger ACP-12U (U.S.)	0675303
Travel charger ACP-12UB (Brazil/Portugal)	0675293
Travel charger ACP-12C (China)	0675297
Cigarette lighter charger LCH-9	0675120
Loopset LPS-3	0630244
Battery Charging Stand DDC-1 (made in China)	675243
Battery Charging Stand DDC-1 (made in Hong Kong)	675261

Mobile Accessories

Handsfree unit PPH-1 with microphone	0272687
Remote headset HDE-2 without hook button	0694075
Remote headset HDC-5 with hook button	0694059

Technical Specifications

Parameter	Unit
Cellular system	TDMA/NADC 800/1900
RX frequency band	868.04 ... 893.97 MHz 1930.08 ... 1989.99 MHz
TX frequency band	824.04 ... 848.97 MHz 1850.04 ... 1909.92 MHz
Output power	400 to 500 mW
Duplex spacing	45 MHz / 80.04 MHz Cellular/PCS
Number of RF channels	831 / 1997 Cellular/PCS
Channel spacing	30 kHz
Number of TX power levels **	2-7 in analog, 2-10 in digital modes**
Frequency control	VCTCXO; AFC used in analog and digital modes
Receiver type	Double conversion, common IF frequencies in all modes
Modulator type	I/Q modulation in digital modes, FM modulation in analog modes

Parameter	Mode	Value and unit
Talk time	Analog	60 min - 112 min
Talk time	Digital	120 min - 200 min
Standby time	Analog	37 hours - 60 hours
Standby time	Digital	96 hours - 200 hours
Dimensions		107x47x21.5 mm
Weight with BLB-3 battery		110 g